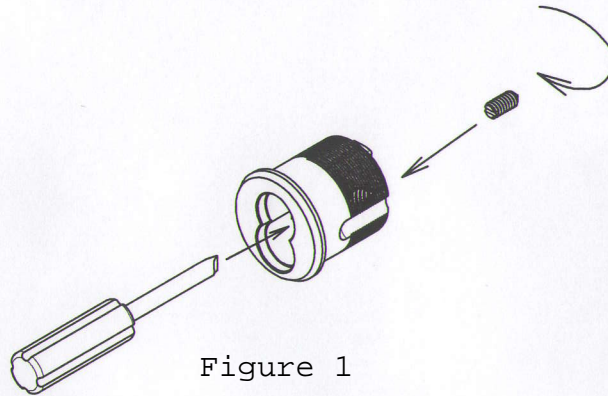
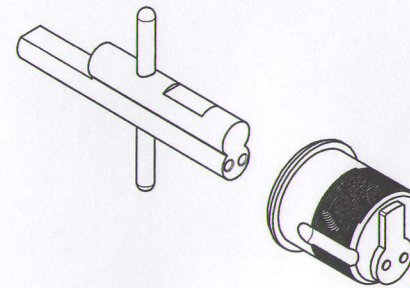


Mortise Cylinder Installation Instructions



1. While holding the set screw by the pointed end, start threading the slotted end into the housing from the outside.

Next, insert a small slotted screw driver (as shown Figure 1) rotate screw counter-clockwise, until screw is countersunk in the housing.



2. Rotate cam to the 12 o'clock position (as shown in Figure 2). and insert the cylinder wrench.

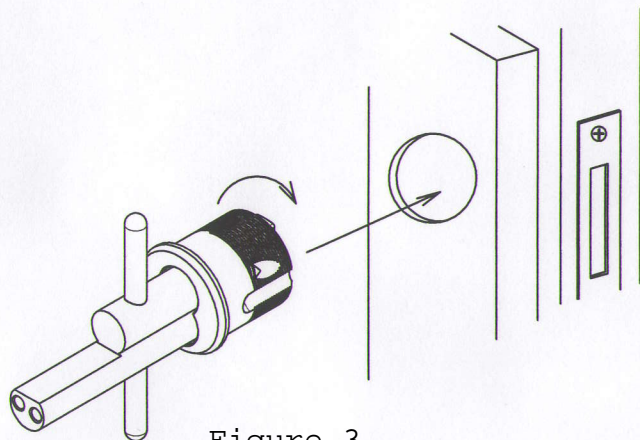


Figure 3

3. Carefully install housing to prevent cross threading.
(As shown in Figure 3)
Do not overtighten housing as this may inhibit proper function.

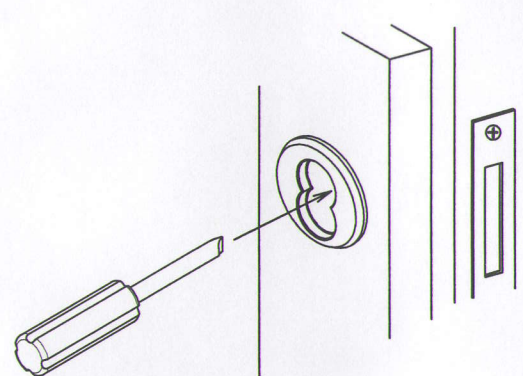


Figure 4

4. Remove cylinder wrench and tighten set clockwise.
(As shown in Figure 4)
This ensures a safe operating assembly.